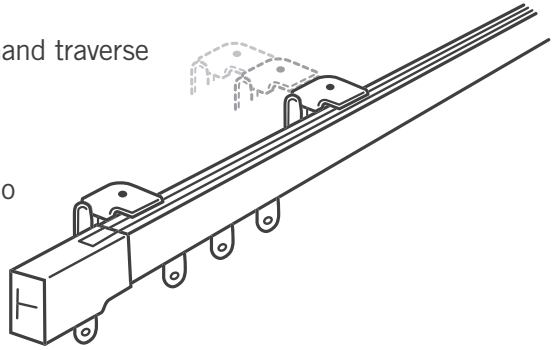


## Product Features

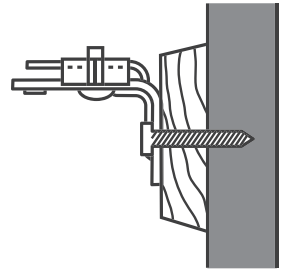
- Top of the range track, corded or hand traverse
- Carries any weight of fabric
- Fits any situation
- Smooth running easy to install
- Available in White, Ivory and Merino



## FACE FIXING

### Single Track

1. Fit brackets to wall or architrave by drilling holes to match pre-drilled holes in brackets
2. Put a bracket as close to each end of the track as possible.  
Evenly space out the remainder along the track.
3. Insert flange at track top into the “jaws” of the bracket.
4. Centre track by sliding it along in the brackets, then tighten screws.



# rufflette® superfit fitting instructions